

ARF, ARP Z-Wave Blackout Blind



Read the instructions below carefully before proceeding to the device operation



Contents

Important information	3
Description of the blackout blind	4
Device programming / Additional information	5
Adding device to the network (remote control) – INCLUDE function	5
Assigning device to operating buttons – ASSOCIATE function	5
Cooperation of devices from different manufacturers in Z-Wave network	5
Adding device to the network operated by the controller of other manufacturer	5
Special function – ALL ON, ALL OFF	5
Manual operating	5
Signalling description / Technical parameters	6
Declaration of Conformity / Warranty	7

FAKRO PP Sp. z o.o.

ul. Węgierska 144A

33-300 Nowy Sącz

Polska

www.fakro.com

tel. +48 18 444 0 444

fax. +48 18 444 0 333

Important information

Read the instructions below carefully before proceeding to the device operation in order to ensure its proper functioning!

Please carefully read the instructions below before installing the device to avoid electric shock, laceration, etc.

While installing the blackout blind it is essential to comply with the following rules:

- After unpacking, check blackout blind elements for any signs of mechanical damage.
- Installation should be performed by a qualified individual following manufacturer's instructions.
- Before connecting the blackout blind, make sure that the power supply voltage corresponds with that provided on the data plate.
- Connect the blackout blind (two-core cable – 12V DC) and verify its correct functioning by performing one full working cycle with the use of manual operating button.
- Plastic containers used for packing should be kept out of children's reach as they may be a potential source of hazard.
- The blackout blind should be used for its intended purpose in agreement with its design. FAKRO Company shall not be held responsible for any consequences resulting from improper blackout blind use.
- Any activities relating to cleaning, adjustment or disassembly of the blackout blind should be preceded with its disconnection from the mains.
- The blackout blind should not be cleaned using any solvent substances or open stream of water (do not immerse in water).
- Any blackout blind repairs should be carried out by the manufacturer's authorised service.
- The blackout blind is for internal use only.

Description of the blackout blind

The ARF, ARP Z-Wave blackout blind is intended for mounting onto FAKRO roof windows and has been adapted for cooperation with wireless control devices offered by FAKRO and other manufacturers offering products with Z-Wave logo. The blackout blind is equipped with a two-way radio communication module. For communication, the Z-Wave module utilizes radio wave frequency of 868,42 MHz.

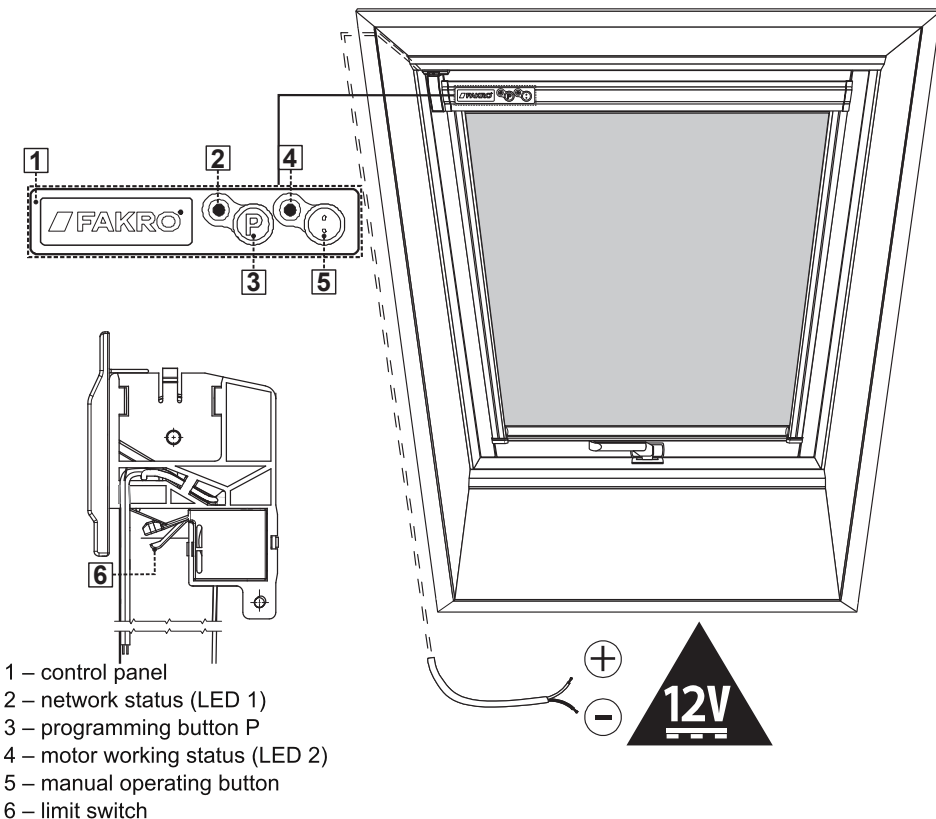
The ARF, ARP Z-Wave blackout blind is equipped with two protections:

- at unfolded blind's material position (overload)
- at folded blind's material position (microswitches)

To be able to operate the blind, it is necessary to install it following the picture installation instructions included in the product package. Subsequently, the blackout blind should be programmed for one of the remote controls/controllers (e.g. ZWP remote, ZWK or ZWG keyboard) offered by FAKRO or any controller offered by other manufacturer equipped with the Z-Wave module. Below there is presented general view of the ARF, ARP Z-Wave blackout blind with description of available buttons and indicators.

Available programming and manual operating buttons (arrow up-down) and signalling are placed on the left side of the cassette lid.

The ZWF communication modules in the ARF Z-Wave blackout blind are placed inside the blind's cassette and access to them is possible after removing cassette from the sash.



NOTE! Before proceeding to programming check whether the device is not already assigned to other network. It is indicated by network status LED diode. Network status light-emitting LED diode informs that the device is not part of the network and can be added to any network. If the device is powered and network status LED diode does not emit light, it is necessary to perform EXCLUDE procedure.

Adding device to the network (controller) – INCLUDE function.

In order for the device to communicate within the Z-Wave network it is essential to connect it to the network with the use of PRIMARY controller. The device can be added to the network as long as it does not belong to any other network.

NOTE! Information how to initiate and perform INCLUDE function is to be found in the instructions of ZWP, ZWK and ZWG controllers offered by FAKRO.

Assigning device to operating buttons – ASSOCIATE function.

In case of some controllers after correct adding the device to the network it is necessary to assign them to the specific group of operating buttons used for controlling the device. For this purpose use ASSOCIATE function.

NOTE! Information how to initiate and perform ASSOCIATE function is to be found in the instructions of ZWP, ZWK and ZWG controllers offered by FAKRO.

Cooperation of devices from different manufacturers in Z-Wave network

Z-Wave allows to integrate devices of different manufacturers which can work in different groups; lighting, heating, domestic automation, etc. Z-Wave devices operate as repeaters in the network, thus increasing the range of radio communication. The more devices in the network, the more reliable and more resistant to interference is performance of the devices within the network.

Adding device to the network operated by the controller of other manufacturer

Note! Make sure that the device (blackout blind) does not belong to any other network.

Start INCLUDE procedure with the controller of existing network and then press “programming” button on the blackout blind being added to the network.

Note: Information how to initiate and perform INCLUDE and ASSOCIATE function with the use of controllers of other manufacturers is to be found in the instructions of these devices.

Special function – ALL ON, ALL OFF

It is possible to define whether the blackout blind has to respect “close all” or “open all” commands.

Note! Instructions how to define respecting functions “close all” and “open all” are to be found in instructions of the respective devices.

Manual operating

The “manual operating button” allows operating the ARF Z-Wave blackout blind directly after its installation. In order to control the blackout blind manually it is necessary to press manual operating button. The buttons work sequentially e.g. start, stop, start in another direction, stop, etc.

1. Pressing the button for the first time starts the blackout blind to unfold.
2. Second pressing the button stops the blackout blind.
3. Third pressing the button starts the blackout blind in the opposite direction.

Signalling description / Technical parameters

Signalling description LED

<i>Motor working status</i>		<i>Network status</i>	
Single LED flash	Current consumed by the motor is too low. In case of problems with operation please contact with FAKRO service.	LED continuously on	The device has not been associated with any network, i.e. remote control of the device is not possible. This LED is always on after connecting the power supply to a brand new blackout blind. It is switched off after adding the device to the network by means of "INCLUDE" function.
Triple LED flash	Current consumed by the blackout blind motor is too high. In case of problems with operation please contact with FAKRO service.		

Technical parameters

Technical parameters	
Parameter	ARF, ARP Z-Wave blackout blind motor
Power voltage	12V DC
Rated voltage	0,4 A
Speed	40 r.p.m
Power cable	2 x 0,25 mm ²

Declaration of Conformity / Warranty

Declaration of Conformity



Declaration of Conformity *in accordance with directive 2006/95/EEC*

We FAKRO Sp. z o.o., 144a Węgierska St. declare that the product: ARF, ARP Z-Wave blackout blind:

- is compliant with the requirements of 2004/108/EEC directive concerning electromagnetic compatibility;
- is compliant with the requirements of 1999/5/EEC directive concerning radio devices and final telecommunication equipment and mutual recognition of their conformity;
- is compliant with the requirements of 2006/95/EEC directive concerning electric equipment designed for use within certain voltage limits;
- has been manufactured according to harmonized standards PN-EN 300220-2, PN-EN 301489-3, PN-EN 55014-1, PN-EN 55014-2, PN-EN 60335-2-97, PN-EN 60335-1;

The ARF, ARP Z-Wave blackout blind is considered to be a machine that can be introduced to use only after installation performed according to installation and user instructions.

FAKRO <i>Hajduga</i>
(Michał Hajduga, Zarządanie Produktami)
Nowy Sącz , dnia 12 - 04 - 2010

Warranty

The manufacturer guarantees correct device functioning. It also undertakes to repair or replace damaged device if its defects result from material or structural faults. The warranty period is 24 months from the purchase date, fulfilling the following conditions:

- Installation has been performed by an authorised individual, as per manufacturer recommendations.
- Seals remain intact and no unauthorised structural changes have been made.
- The device has been used in accordance with its intended use as per user manual. Damage is not a result of improperly made electrical system or atmospheric phenomena.
- The manufacturer is not liable for damage which occurred as a result of improper use or mechanical damage.
- In case of failure, the device must be submitted for repair with a Warranty Card. Defects revealed within the warranty period will be removed free of charge no longer than 14 days after accepting the product for repair. Warranty and post-warranty repairs are performed by the manufacturer FAKRO PP. Sp. z o.o.

Quality certificate:

Device

Model.....
Serial number.....
Seller.....
Address.....
Purchase date.....
.....

Signature (stamp) of installing person

